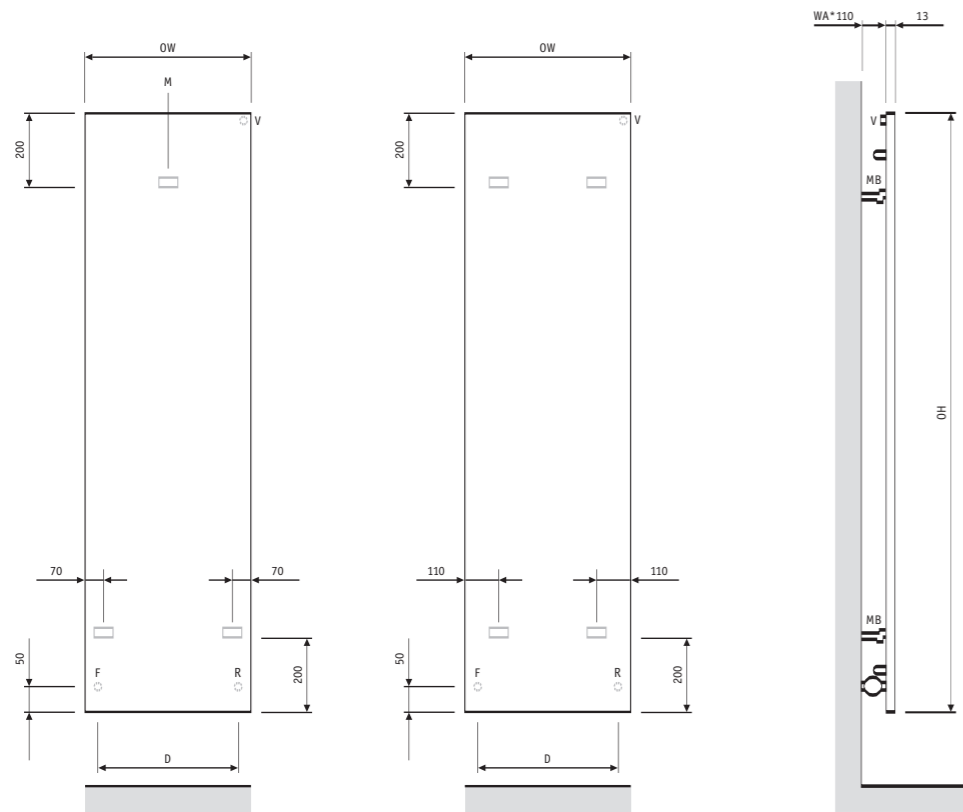


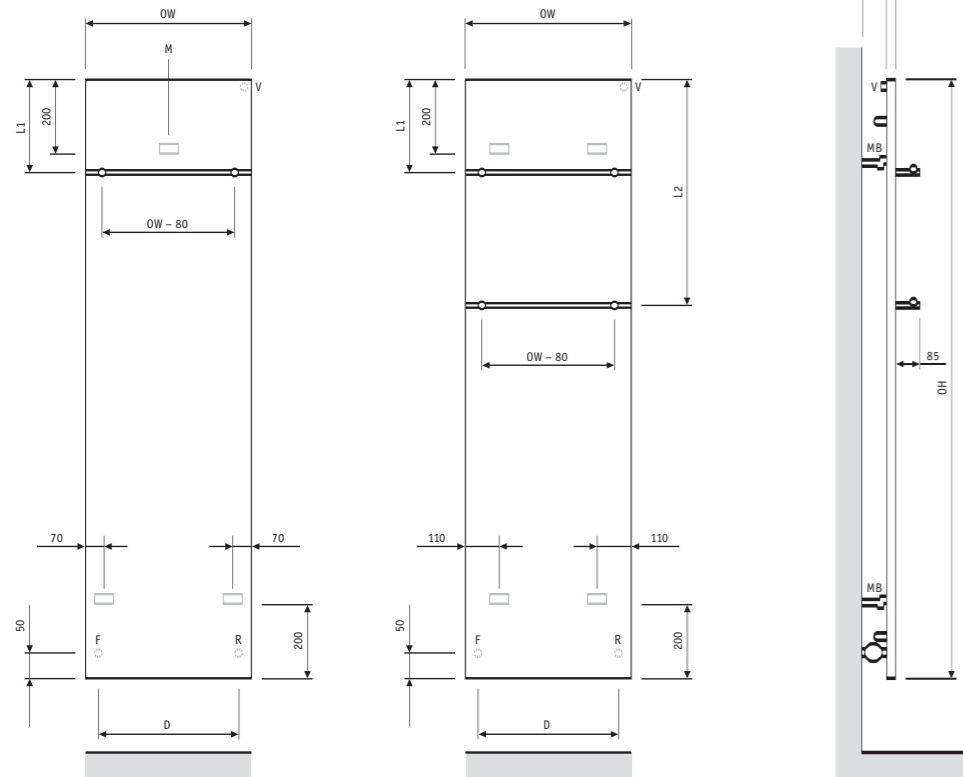
wärmekultur **stefan huml**

•• Intégras V



□ = 3 mounting brackets at an overall width (OW) up to 355 mm

□ = 4 mounting brackets at an overall width (OW) of 425 mm or above



1 towel rack

2 towel racks

OH = overall height
 OW = overall width
 D = distance between pipe connections
 MB = mounting brackets
 V = venting valve 1/2"
 F = feed pipe 1/2"
 R = return pipe 1/2"

All measurements are in mm

WA = for standard fittings (see illustration), for special fittings (Danfoss X-tra Collection)

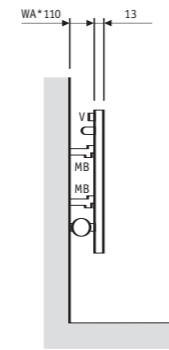
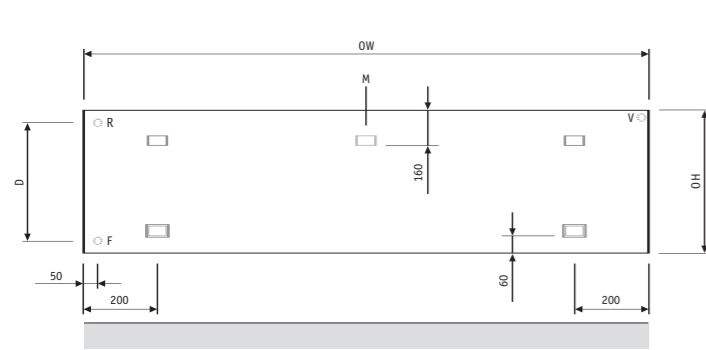
WA =70mm

Order No.	OH (mm)	OW (mm)	L1 (mm)	L2 (mm)	D (mm)	Thermal output in Watts at system temps. of			Exponent (n)
						75/65/20 °C	70/55/20(24) °C	55/45/20(24) °C	
IN 180-028	1800	285	-	-	210	502	404 (355)	260 (215)	1.2759
IN 200-028	1974	285	-	-	210	555	448 (393)	288 (239)	1.2718
IN 220-028	2200	285	-	-	210	611	492 (432)	316 (262)	1.2747
IN 180-035	1800	355	-	-	280	625	504 (443)	323 (268)	1.2759
IN 200-035	1974	355	-	-	280	692	557 (490)	358 (298)	1.2718
IN 220-035	2200	355	-	-	280	761	613 (539)	394 (327)	1.2747
IN 180-042	1800	425	-	-	350	748	603 (530)	387 (321)	1.2759
IN 200-042	1974	425	-	-	350	828	667 (587)	429 (356)	1.2718
IN 220-042	2200	425	-	-	350	911	734 (645)	471 (391)	1.2747
IN 180-049	1800	495	300	800	420	872	702 (617)	451 (374)	1.2759
IN 200-049	1974	495	350	850	420	964	777 (683)	500 (415)	1.2718
IN 220-049	2200	495	400	900	420	1061	855 (751)	549 (456)	1.2747
IN 180-056	1800	565	300	800	490	995	801 (704)	515 (427)	1.2759
IN 200-056	1974	565	350	850	490	1101	887 (780)	570 (474)	1.2718
IN 220-056	2200	565	400	900	490	1211	975 (857)	627 (520)	1.2747
IN 180-063	1800	635	300	800	560	1118	901 (792)	578 (480)	1.2759
IN 200-063	1974	635	350	850	560	1237	997 (877)	641 (532)	1.2718
IN 220-063	2200	635	400	900	560	1361	1096 (964)	704 (585)	1.2747
IN 180-070	1800	705	300	800	630	1242	1000 (879)	642 (533)	1.2759
IN 200-070	1974	705	350	850	630	1373	1107 (973)	712 (591)	1.2718
IN 220-070	2200	705	400	900	630	1511	1217 (1070)	782 (649)	1.2747

Towel Racks for Model Intégras V (incl. 2-piece holder)

Order No.	Diameter of rack (mm)	Diameter of holder (mm)	Depth of holder (mm)	Width of rack (mm)
HS 049	12	16	85	495
HS 056	12	16	85	565
HS 063	12	16	85	635
HS 070	12	16	85	705

•• Intégras H



OH = overall height
 OW = overall width
 D = distance between pipe connections
 MB = mounting brackets
 V = venting valve 1/2"
 F = feed pipe 1/2"
 R = return pipe 1/2"

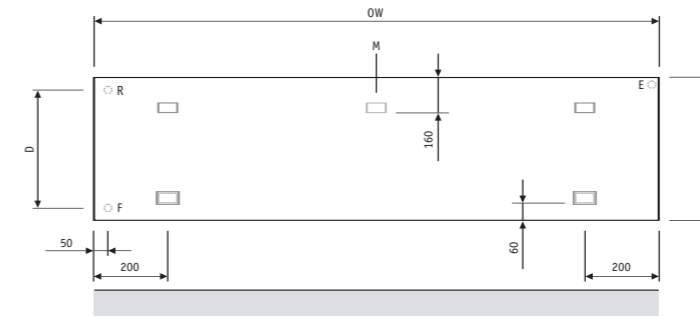
All measurements are in mm

Standard fittings have been illustrated.
 Special fittings for Danfoss X-tra Collection are available on request.

□ = 3 mounting brackets at an overall height (OH) up to 355 mm
 □ = 4 mounting brackets at an overall height (OH) of 425 mm or above

Order No.	OH (mm)	OW (mm)	D (mm)	Thermal output in Watts at system temps. of			Exponent (n)
				75/65/20 °C	70/55/20(24) °C	55/45/20(24) °C	
IN 028-180	285	1800	210	502	404 (355)	260 (215)	1.2759
IN 028-200	285	1974	210	555	448 (393)	288 (239)	1.2718
IN 028-220	285	2200	210	611	492 (432)	316 (262)	1.2747
IN 035-180	355	1800	280	625	504 (443)	323 (268)	1.2759
IN 035-200	355	1974	280	692	557 (490)	358 (298)	1.2718
IN 035-220	355	2200	280	761	613 (539)	394 (327)	1.2747
IN 042-180	425	1800	350	748	603 (530)	387 (321)	1.2759
IN 042-200	425	1974	350	828	667 (587)	429 (356)	1.2718
IN 042-220	425	2200	350	911	734 (645)	471 (391)	1.2747
IN 049-180	495	1800	420	872	702 (617)	451 (374)	1.2759
IN 049-200	495	1974	420	964	777 (683)	500 (415)	1.2718
IN 049-220	495	2200	420	1061	855 (751)	549 (456)	1.2747
IN 056-180	565	1800	490	995	801 (704)	515 (427)	1.2759
IN 056-200	565	1974	490	1101	887 (780)	570 (474)	1.2718
IN 056-220	565	2200	490	1211	975 (857)	627 (520)	1.2747
IN 063-180	635	1800	560	1118	901 (792)	578 (480)	1.2759
IN 063-200	635	1974	560	1237	997 (877)	641 (532)	1.2718
IN 063-220	635	2200	560	1361	1096 (964)	704 (585)	1.2747
IN 070-180	705	1800	630	1242	1000 (879)	642 (533)	1.2759
IN 070-200	705	1974	630	1373	1107 (973)	712 (591)	1.2718
IN 070-220	705	2200	630	1511	1217 (1070)	782 (649)	1.2747

•• Welle G

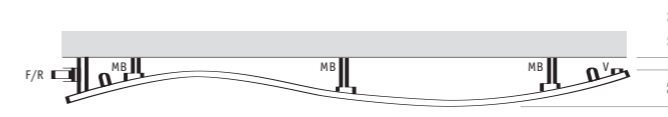


□ = 3 mounting brackets at an overall height (OH) up to 355 mm
 □ = 4 mounting brackets at an overall height (OH) of 425 mm or above

OH = overall height
 OW = overall width
 OD = overall depth
 D = distance between pipe connections
 MB = mounting brackets
 V = venting valve 1/2"
 F = feed pipe 1/2"
 R = return pipe 1/2"

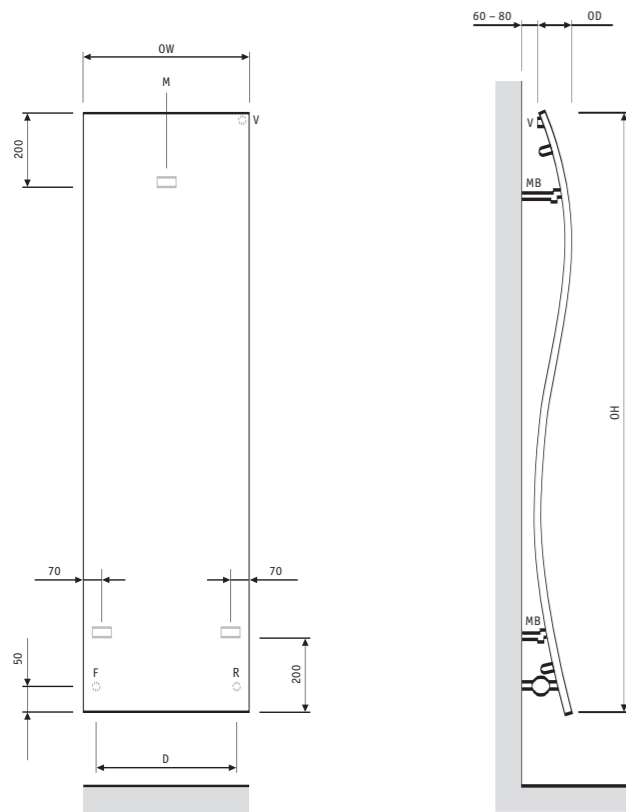
All measurements are in mm

Standard fittings have been illustrated.
 Special fittings for Danfoss X-tra Collection are available on request.

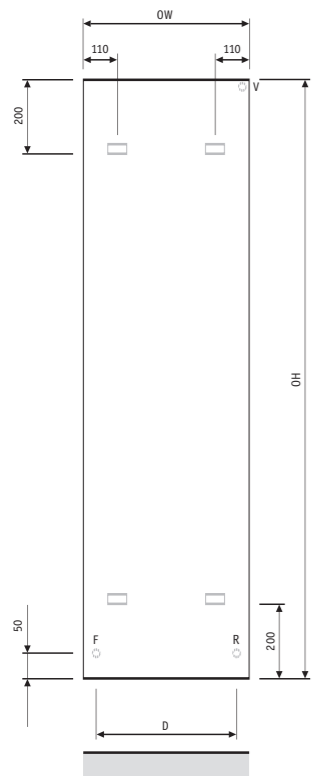


Order No.	OH (mm)	Effect.OW (mm)	Developt. (mm)	OD (mm)	D (mm)	Thermal output in Watts at system temps. of			Exponent (n)
						75/65/20 °C	70/55/20(24) °C	55/45/20(24) °C	
WG 028-180	285	1785	1800	83	210	502	404 (355)	260 (215)	1.2759
WG 028-200	285	1955	1974	99	210	555	448 (393)	288 (239)	1.2718
WG 028-220	285	2177	2200	115	210	611	492 (432)	316 (262)	1.2747
WG 035-180	355	1785	1800	83	280	625	504 (443)	323 (268)	1.2759
WG 035-200	355	1955	1974	99	280	692	557 (490)	358 (298)	1.2718
WG 035-220	355	2177	2200	115	280	761	613 (539)	394 (327)	1.2747
WG 042-180	425	1785	1800	83	350	748	603 (530)	387 (321)	1.2759
WG 042-200	425	1955	1974	99	350	828	667 (587)	429 (356)	1.2718
WG 042-220	425	2177	2200	115	350	911	734 (645)	471 (391)	1.2747
WG 049-180	495	1785	1800	83	420	872	702 (617)	451 (374)	1.2759
WG 049-200	495	1955	1974	99	420	964	777 (683)	500 (415)	1.2718
WG 049-220	495	2177	2200	115	420	1061	855 (751)	549 (456)	1.2747
WG 056-180	565	1785	1800	83	490	995	801 (704)	515 (427)	1.2759
WG 056-200	565	1955	1974	99	490	1101	887 (780)	570 (474)	1.2718
WG 056-220	565	2177	2200	115	490	1211	975 (857)	627 (520)	1.2747
WG 063-180	635	1785	1800	83	560	1118	901 (792)	578 (480)	1.2759
WG 063-200	635	1955	1974	99	560	1237	997 (877)	641 (532)	1.2718
WG 063-220	635	2177	2200	115	560	1361	1096 (964)	704 (585)	1.2747
WG 070-180	705	1785	1800	83	630	1242	1000 (879)	642 (533)	1.2759
WG 070-200	705	1955	1974	99	630	1373	1107 (973)	712 (591)	1.2718
WG 070-220	705	2177	2200	115	630	1511	1217 (1070)	782 (649)	1.2747

•• Welle S



□ = 3 mounting brackets at an overall width (OW) up to 355 mm



□ = 4 mounting brackets at an overall width (OW) of 425 mm or above

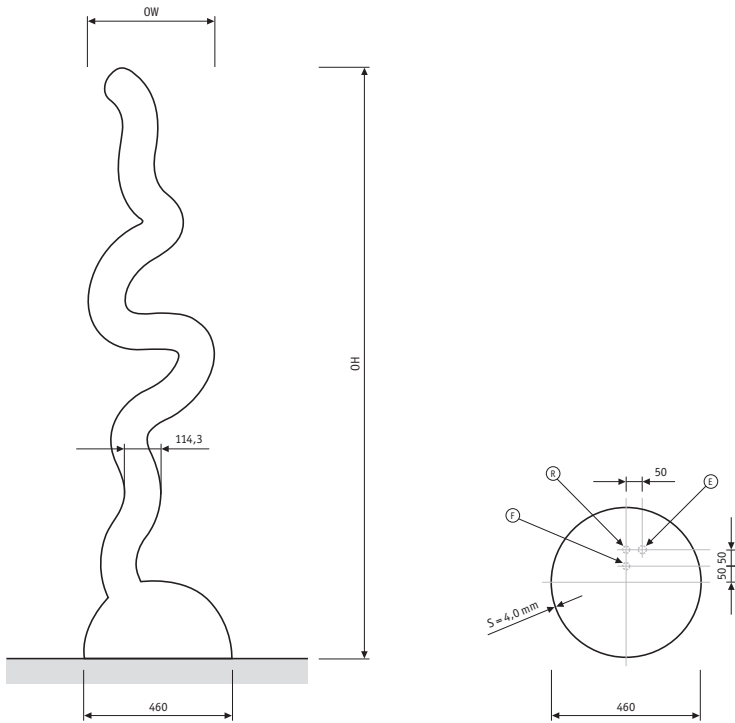
- OH = overall height
- OW = overall width
- OD = overall depth
- D = distance between pipe connections
- MB = mounting brackets
- V = venting valve 1/2"
- F = feed pipe 1/2"
- R = return pipe 1/2"

All measurements are in mm

Standard fittings have been illustrated.
Special fittings for Danfoss X-tra Collection are available on request.

Order No.	Effect. OH (mm)	Devt. (mm)	OW (mm)	OD (mm)	D (mm)	Thermal output in Watts at system temps. of			Exponent (n)
						75/65/20 °C	70/55/20(24) °C	55/45/20(24) °C	
WS 180-028	1785	1800	285	83	210	502	404 (355)	260 (215)	1.2759
WS 200-028	1955	1974	285	99	210	555	448 (393)	288 (239)	1.2718
WS 220-028	2177	2200	285	115	210	611	492 (432)	316 (262)	1.2747
WS 180-035	1785	1800	355	83	280	625	504 (443)	323 (268)	1.2759
WS 200-035	1955	1974	355	99	280	692	557 (490)	358 (298)	1.2718
WS 220-035	2177	2200	355	115	280	761	613 (539)	394 (327)	1.2747
WS 180-042	1785	1800	425	83	350	748	603 (530)	387 (321)	1.2759
WS 200-042	1955	1974	425	99	350	828	667 (587)	429 (356)	1.2718
WS 220-042	2177	2200	425	115	350	911	734 (645)	471 (391)	1.2747
WS 180-049	1785	1800	495	83	420	872	702 (617)	451 (374)	1.2759
WS 200-049	1955	1974	495	99	420	964	777 (683)	500 (415)	1.2718
WS 220-049	2177	2200	495	115	420	1061	855 (751)	549 (456)	1.2747
WS 180-056	1785	1800	565	83	490	995	801 (704)	515 (427)	1.2759
WS 200-056	1955	1974	565	99	490	1101	887 (780)	570 (474)	1.2718
WS 220-056	2177	2200	565	115	490	1211	975 (857)	627 (520)	1.2747
WS 180-063	1785	1800	635	83	560	1118	901 (792)	578 (480)	1.2759
WS 200-063	1955	1974	635	99	560	1237	997 (877)	641 (532)	1.2718
WS 220-063	2177	2200	635	115	560	1361	1096 (964)	704 (585)	1.2747
WS 180-070	1785	1800	705	83	630	1242	1000 (879)	642 (533)	1.2759
WS 200-070	1955	1974	705	99	630	1373	1107 (973)	712 (591)	1.2718
WS 220-070	2177	2200	705	115	630	1511	1217 (1070)	782 (649)	1.2747

•• Sima



OH = overall height
 OW = overall width
 D = distance between pipe connections
 F = feed pipe 1/2"
 R = return pipe 1/2"
 E = empty pipe

All measurements are in mm

Order No.	OH (mm)	OW spatial dev. (mm)	ø Hemisphere (mm)	ø Circular tube (mm)	D (mm)	Thermal output in Watts at system temps. of		
						75/65/20 °C	70/55/20(24) °C	55/45/20(24) °C
SI 180-045	1840	550	460	114	50	492	399 (352)	260 (217)
SI 200-045	2040	550	460	114	50	541	439 (387)	286 (238)
SI 220-045	2240	550	460	114	50	590	479 (422)	312 (260)

Important notice:

With models Integras V, Integras H, Welle S and Welle G, there is approx. 25 % reduced output with surfaces E01, E02 and E06.
 Maximum operating pressure: 3.5 bar. Maximum operating temperature: 96°C.

wärmekultur stefan huml

Stefan Huml Design GmbH
 Junghansstraße 5
 D-70469 Stuttgart
 Phone: +49 (0)7 11.25 35 86 91
 Fax: +49 (0)7 11.25 35 86 95
 Internet: www.huml-design.de
 E-mail: info@huml-design.de

Our heaters have been inspected by:

